

Dimensional Drawing
M944T3 - 40 kW/38 kW
AC Output¹

40 kW 60 Hz, 1800 RPM, 3 Ph, 0.8 PF,
120-208 V/139 A, 277-480 V/60 A

38 kW 60 Hz, 1800 RPM, 1 Ph, 1.0 PF
240 V/158 A

Voltage regulation ±1%

Lugger L944 Engine

Type Vertical inline 4 cylinder diesel

Displacement 203 cid (3.3 ltr)

Bore/Stroke 3.70/4.72 in (94/120 mm)

Aspiration Turbocharged

HP @ RPM 60.0 @ 1800

Approximate fuel use

1800 RPM @ full load² 3.40 gph (12.9 lph)

1800 RPM @ half load² 1.80 gph (6.8 lph)

Installation Data & Weight

Wet exhaust elbow 3 inch (76 mm) OD

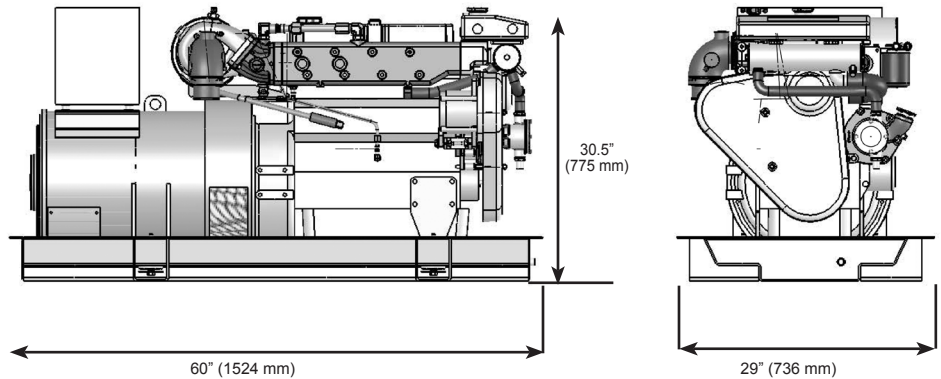
Raw water inlet 3/4 inch (19 mm) OD

Fuel inlet and return 1/4 inch NPT

Approximate dry weight 1416 lbs (642 kg)

1. Based on SAE J1995 and ISO 3046.

2. Actual fuel consumption will vary depending on operating conditions



M944T3 Overall Dimensions L x W x H: 60.0 x 29.0 x 30.5 inch (1524 x 736 x 775 mm)

Sound Enclosure Dimensions L x W x H: 60.0 x 29.0 x 32.0 (1524 x 736 x 813 mm)

Sound Enclosure Weight: 140 lbs. (64 kg)

Dimensions given in inches (mm). Dimensions subject to change without notice.
Contact dealer or visit www.northern-lights.com for most current installation drawings.

M944T3 Features and Benefits
Engine Block

- Four cycle, 4 cylinder, dry turbocharged, overhead valve diesel.
- Induction hardened crankshaft. Forged carbon steel - stronger than cast iron.
- Helical cut and ground, carbon steel timing and PTO gears reduce noise.
- Cross flow head for efficient breathing.

Cooling System

- Freshwater cooling system in heat exchanger or keel cooled configuration.
- Large single-piece exhaust manifold is freshwater cooled for safety. No hot, dry risers. Fewer troublesome hoses and gaskets. Cast iron to resist corrosion and electrolysis.
- Zinc anode electrolysis protection.
- Heat exchanger cooling is standard. Cupro-nickel tube-type heat exchanger has removable ends for easy cleaning. Rubber impeller seawater pump of bronze and stainless steel is gear driven; no belt.

Fuel System

- Direct injection with glow plugs.
- Bosch-type in-line injection pump with 5% mechanical governor for close AC frequency control.
- Pintle injectors.
- Mechanical lift pump with hand primer. No electric pump to fail.
- Large spin-on fuel filter.
- Flexible fuel lines routed to base.
- Stop solenoid controls the fuel rack, not the throttle, to eliminate speed variances and linkage problems.

Intake and Exhaust

- Meets US EPA Tier III emission standards at date of manufacture.
- Dry turbocharger insulated for safety.
- Dry air filter with internal baffles for noise reduction.
- Wet exhaust elbow for safety.

Lubrication System

- Full flow, spin-on oil filter with bypass.
- 10.5 qt (10.0 ltr) center well oil pan. 250 hour oil change intervals.
- Oil drain for quick, clean oil changes.

DC Electrical System

- DC system uses reliable relays instead of an unrepairable printed circuit board.
- 12 volt starter motor and battery charging alternator with regulator and belt guard.
- Standard panel: Remote mount S-3C has hour meter, stop-start switch with run light and preheat switch. Gauges for oil pressure, coolant temp and DC voltage. Safety shutdowns for low oil pressure, high coolant temp and high exhaust temp.
- Expandable to six panels up to 110 feet from the set.
- 20 foot (6m) plug-in panel harness lets you mount your panel anywhere onboard.

AC Generator

- Northern Lights, direct coupled, brushless AC generator is maintenance free. 12 wire 60 Hz output standard. Conservative heat rise rating: 95°C/50°C ambient.
- Automatic voltage regulator (AVR) is powered by dedicated AC winding for true 300% short circuit capability and circuit breaker protection. Quick ±1% RMS no load to full load voltage regulation.
- Generator features high quality, Class "H" epoxy insulation, accessible diodes, over-sized bearings and junction box for wiring.

Special Equipment

- Welded steel base frame with drip pan.
- Four platform mounts isolate vibration.
- Belt guard protects operator.
- White, long-life polyurethane paint.
- Operator's and parts manuals standard.

Classification Standards

- Consult factory for details.



www.northern-lights.com

Dealer

4420 14th Ave. NW., Seattle WA 98107

Tel: 206-789-3880 • 1-800-762-0165 • Fax: 206-782-5455

Information and dimensions subject to change without notice.

Northern Lights and Lugger are registered trademarks of Northern Lights, Inc.

© 2015 All rights reserved. Litho USA. S153 09/15